
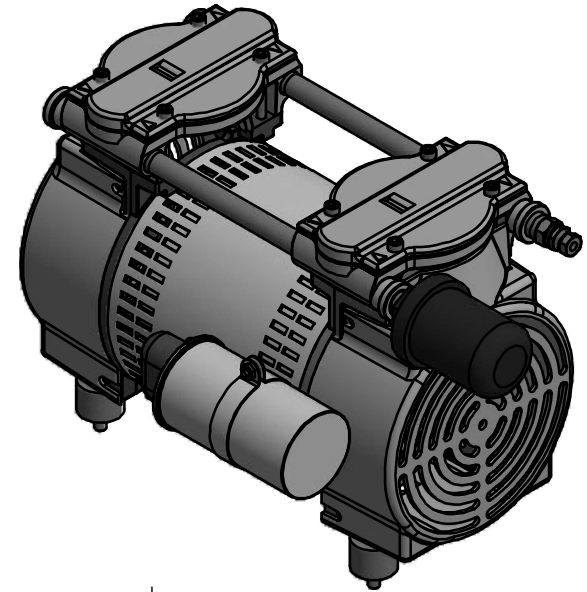


PART No 9862

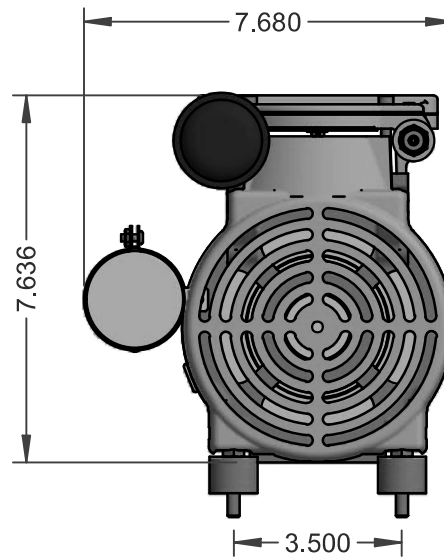
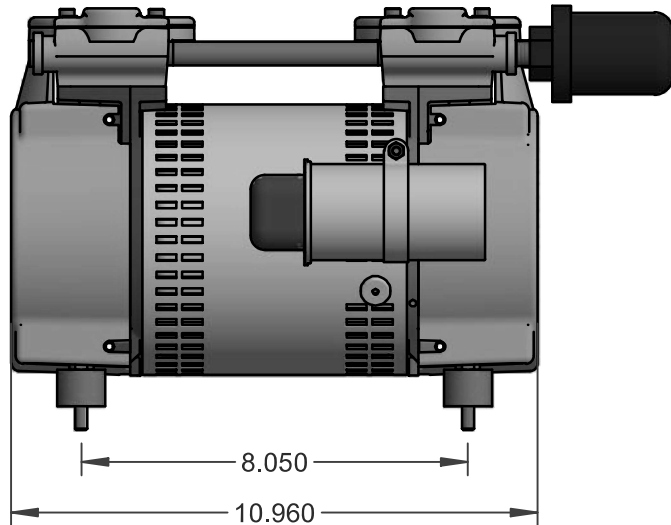
NOTES:

- 1) UNIT INCLUDES PRESSURE RELIEF VALVE (INSTALLED & SET TO 88-93PSI)  AND SHOCK MOUNTS & AIR FILTER (UNINSTALLED).
- 2) COMES PREWIRED FOR 120VAC INSTALL.
- 3) FOR 220V UNIT, REWIRE AND ASSIGN NEW PART NUMBER 9862-220.
- 4) 9862-2 CAPACITOR PART NUMBER.
- 5) 9862-20 RELIEF VALVE
- 6) 9862-21 INLET FILTER



WIRING 115-120VAC		
WIRE COLOR	LOCATION	TERMINATION
BROWN 1	TO CAPACITOR	PER FACTORY
BROWN 2	TO CAPACITOR	PER FACTORY
BLUE*	TO 120V LINE	PANDUIT DNF10-250FIB-D
BLACK*	TO 120V LINE	PANDUIT DNF10-250FIB-D
WHITE	TO 120V NEUTRAL	STRIP TO 3/8"
GREEN	TO GROUND	PANDUIT PV18-10R
RED**	NOT USED IN 120V	CAP OFF
ORANGE**	NOT USED IN 120V	CAP OFF

\* JOIN TOGETHER  
 \*\* JOIN TOGETHER



GAST 71R642-P163J-N570X  
 115-120 / 230-240 / 60HZ or 50HZ  
 5.2A / 2.7A  
 3/4 HP, CAP: 45 MFD/370VAC  
 MAX DUTY: 100 PSIG

B	8371	ADD NOTE FOR PRESSURE SETTING ON PRV	12/06/18	JRF
A	7893	ADD TERMINATION COLUMN TO CHART	11-17-16	JRF
REV	NO.	DESCRIPTION	DATE	BY

TITLE		COMPRESSOR, 3/4 HP TWIN CYL	
UNSPECIFIED TOLERANCES	MATERIAL	CEDAR RAPIDS, IOWA	
1 PL ±.030	DRAWN BY	JOHN F	
2 PL ±.020	DATE	9/8/2015	
3 PL ±.003	SCALE	SHEET	PART No
ANGLE ± 1°	1/4	1 / 1	9862
			REV. B